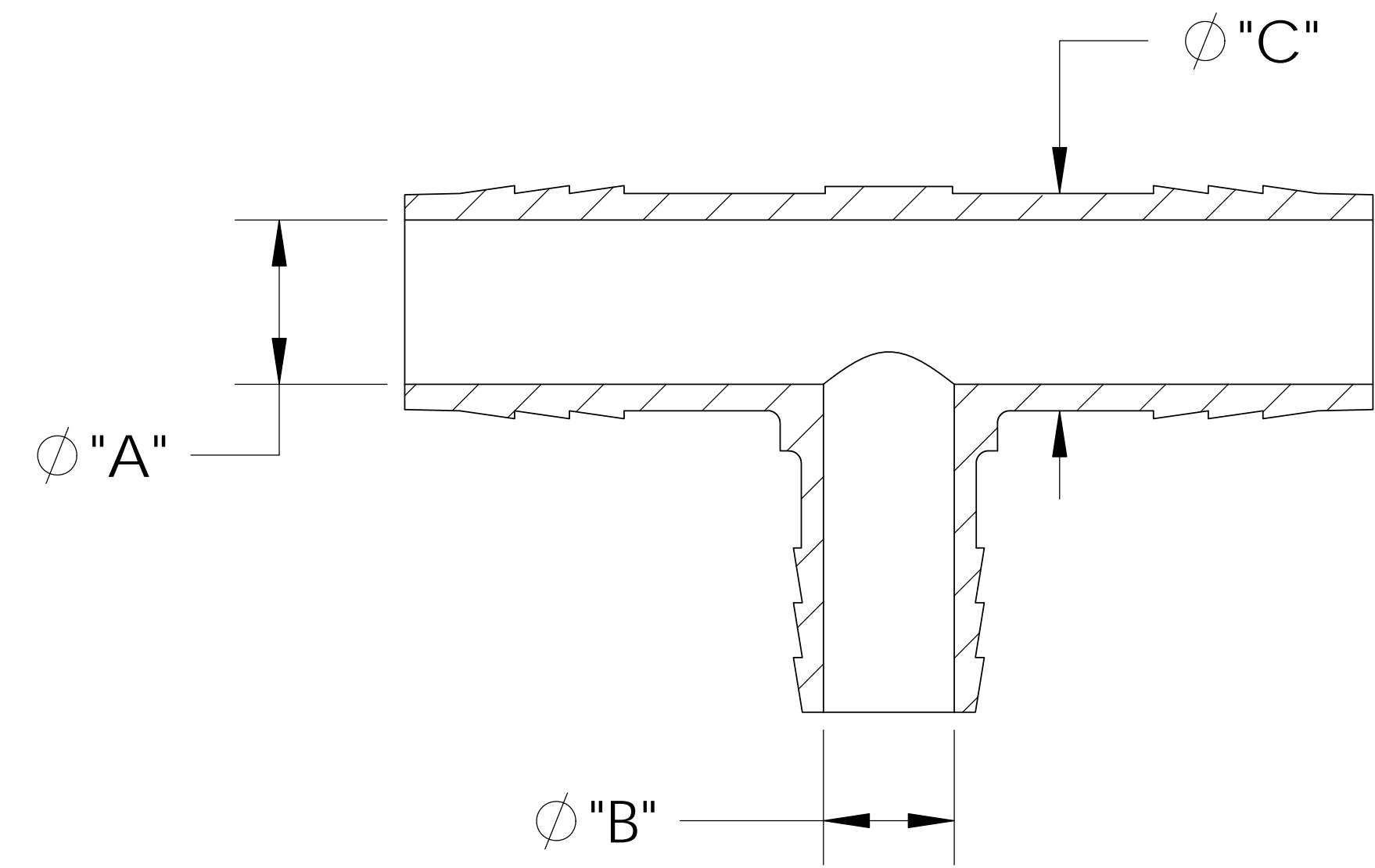
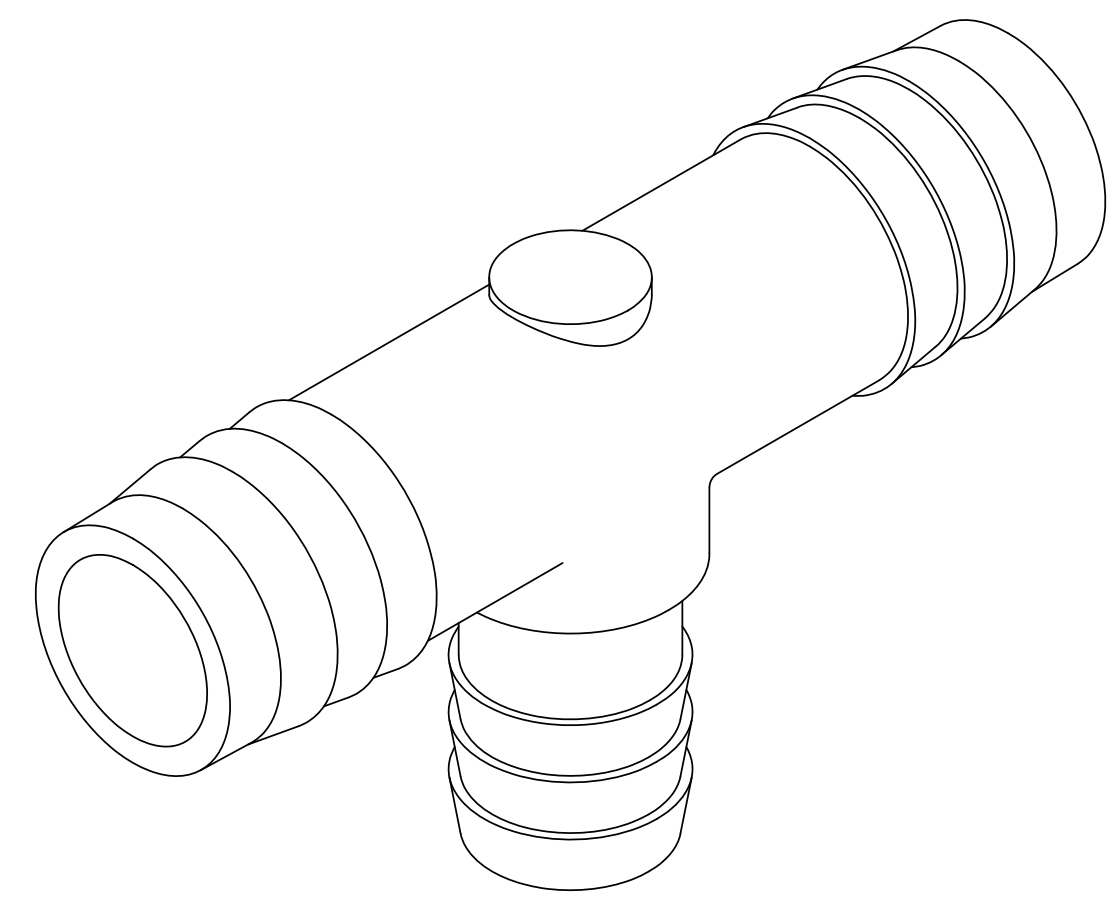
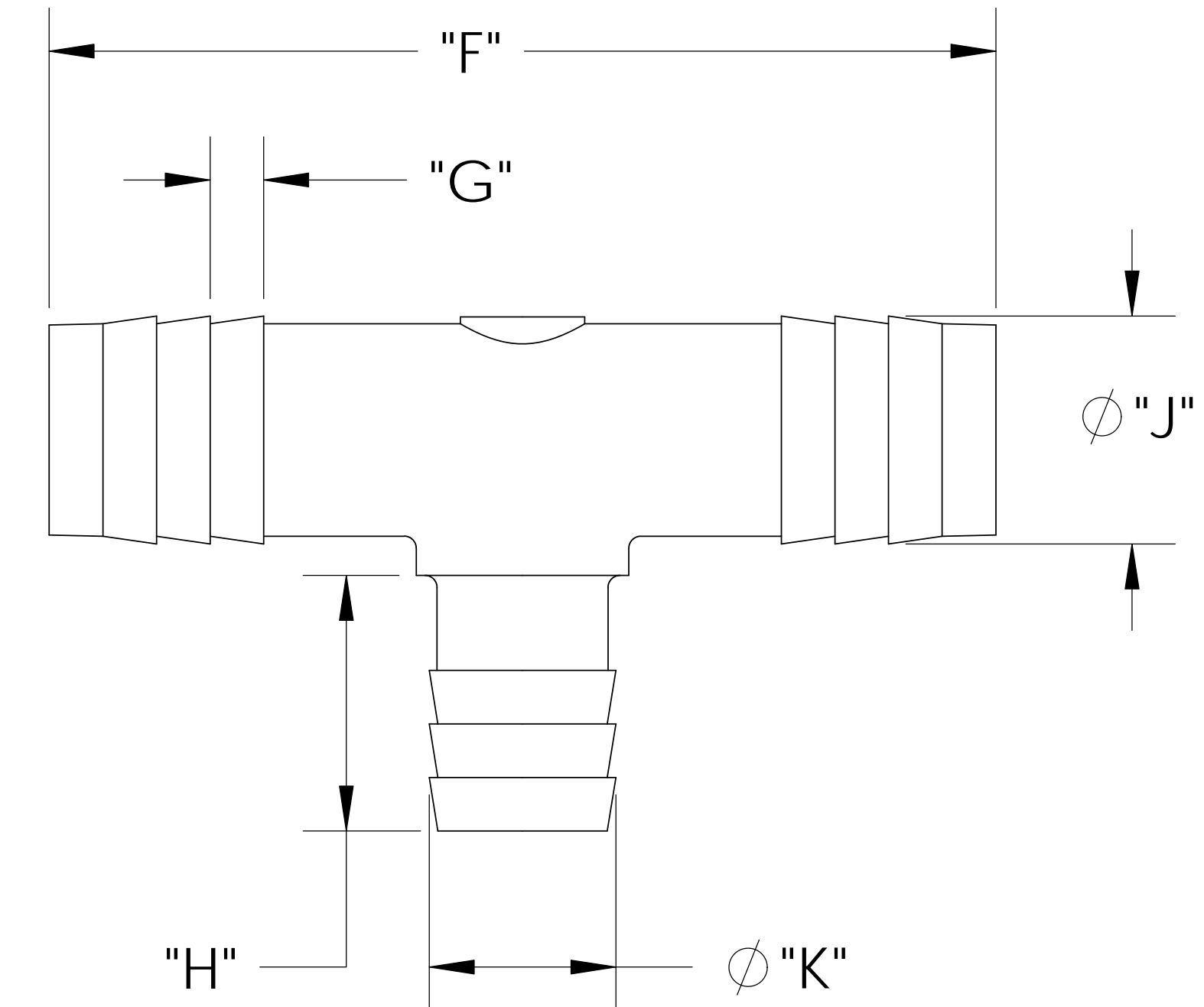
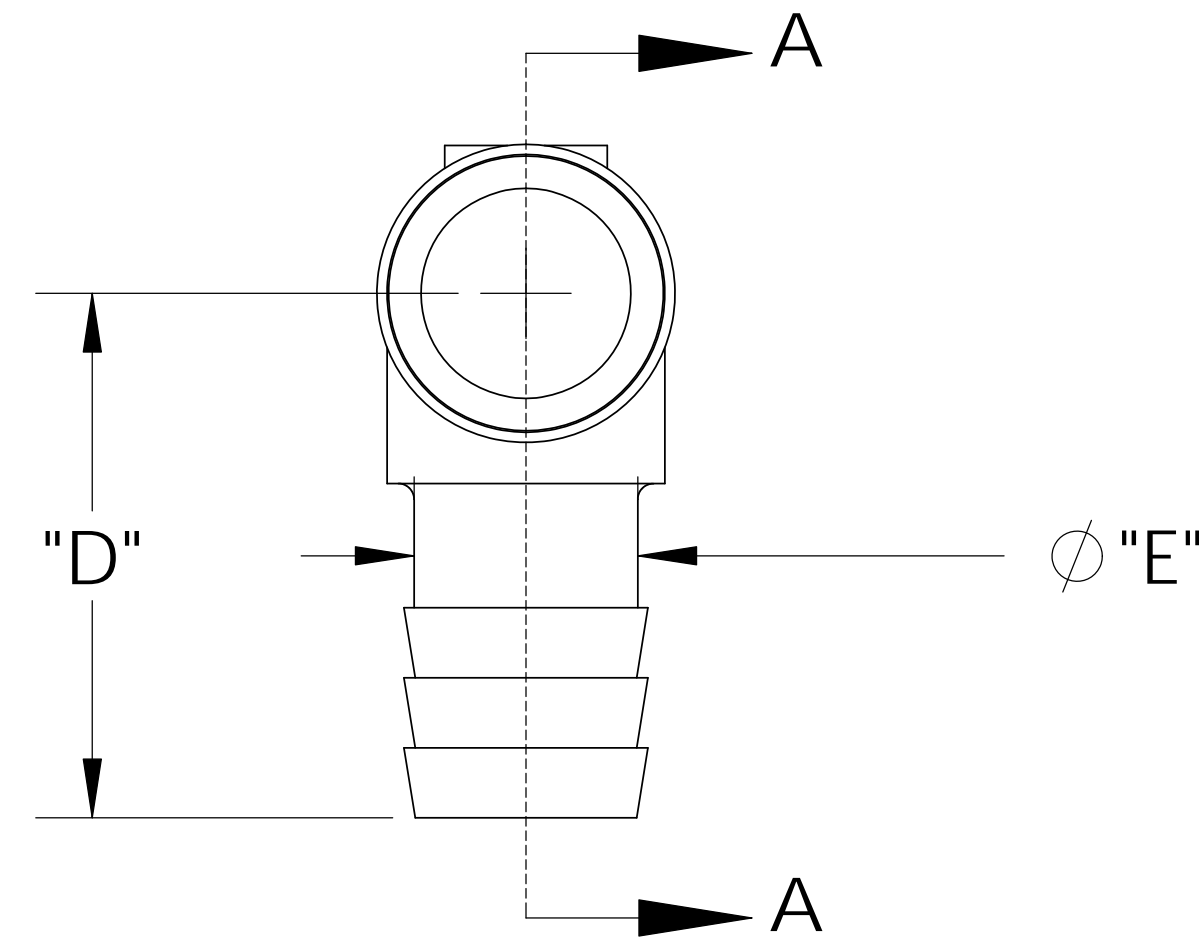


UNCONTROLLED IF PRINTED; CONTROLLED DOCUMENT LOCATED IN IQMS DOCUMENT CONTROL



SECTION A-A



SHOWN

CATALOG NO.	DESCRIPTION	MATERIAL	DIM "A"	DIM "B"	DIM "C"	DIM "D"	DIM "E"	DIM "F"	DIM "G"	DIM "H"	DIM "J"	DIM "K"
TT981010/PP	1/2 X 5/8 X 5/8 PP	POLYPROPYLENE	.460	.370	.585	1.16	.490	2.45	.155	.73	.635	.535
TT981010/P	1/2 X 5/8 X 5/8 P	POLYETHYLENE	.450	.375	.600	1.13	.495	2.66	.145	.74	.650	.530
TT981010/N	1/2 X 5/8 X 5/8 N	NYLON	.465	.370	.615	1.16	.495	2.74	.155	.74	.660	.540

NOTES:

- 1) POLYPROPYLENE HAS COLOR OPTIONS:  
 BLACK = TT981010/PPB  
 NATURAL = TT981010/PPN

**PROPRIETARY AND CONFIDENTIAL**  
 THE INFORMATION CONTAINED IN THIS DRAWING IS THE SOLE PROPERTY OF THOGUS PRODUCTS COMPANY. ANY REPRODUCTION IN PART OR AS A WHOLE WITHOUT THE WRITTEN PERMISSION OF THOGUS PRODUCTS COMPANY IS PROHIBITED.

REV	WRO#	DESCRIPTION
D	95.00053	CONVERTED TO 3D FORMAT
HISTORY		

UNLESS OTHERWISE SPECIFIED:  
 DIMENSIONS ARE IN INCHES  
 TOLERANCES:  
 ANGULAR: ±0.5°  
 X.X = ± 0.1  
 X.XX = ± 0.05  
 X.XXX = ± 0.015  
 REMOVE ALL SHARP EDGES AND BURRS  
 BLEND ALL RADII TO 0.01IN  
 INTERPRET GEOMETRIC TOLERANCING PER: ANSI Y 14.5 1994  
 MATERIAL: PP, P, N  
 FINISH: NA  
 THIRD ANGLE PROJECTION:

	NAME	DATE
DRAWN	KDJ	12/21/10
CHECKED	KDJ	12/21/10
ENG APPR.		XX/XX/XX
MFG APPR.		XX/XX/XX
Q.A.		XX/XX/XX
COMMENTS:		

**Thogus** You think it, we can make it...  
 33490 PIN OAK, AVON LAKE, OH 44012

TITLE:  
**1/2 BARB X 5/8 BARB X 5/8 BARB TEE**

SIZE <b>B</b>	DWG. NO. TT981010	REV <b>D</b>
SCALE: 1:1	MASS:	SHEET 1 OF 1

DO NOT SCALE DRAWING